

Peaco Support 2 Phase & 3 Phase Open-loop Stepper Motor Catalog



Name	2 Phase & 3 Phase Open-loop Stepper Motor
Step angle accuracy	±5%
Precision of resistance	0.1
Accuracy of inductance	0.2
Temperature rise	80 °C max
Environment temperature	-10 °C to +50°C
Insulation resistance	100mΩ min.500V DC
Dielectric strength	500VAC.5mA
Radial runout of rotating shaft	0.06 max.@450g
Axial runout of the rotating shaft	0.08 max.@450g

Peaco Support Co., Ltd.

Email: sales@peacosupport.com

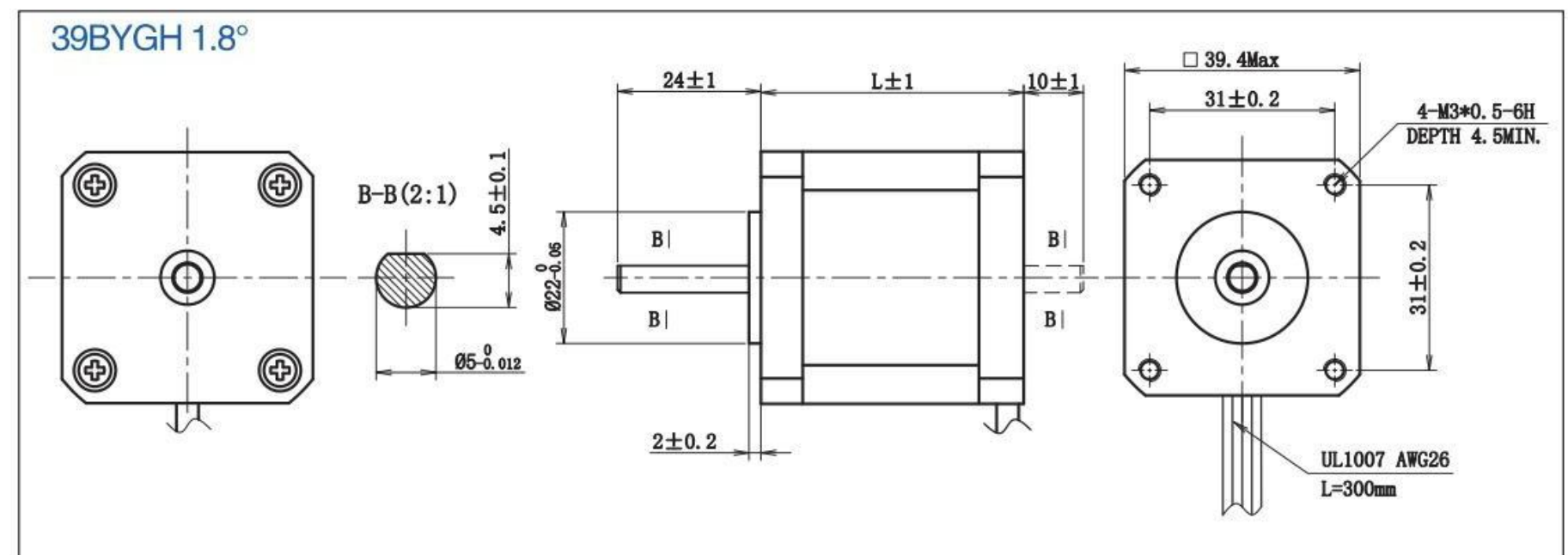
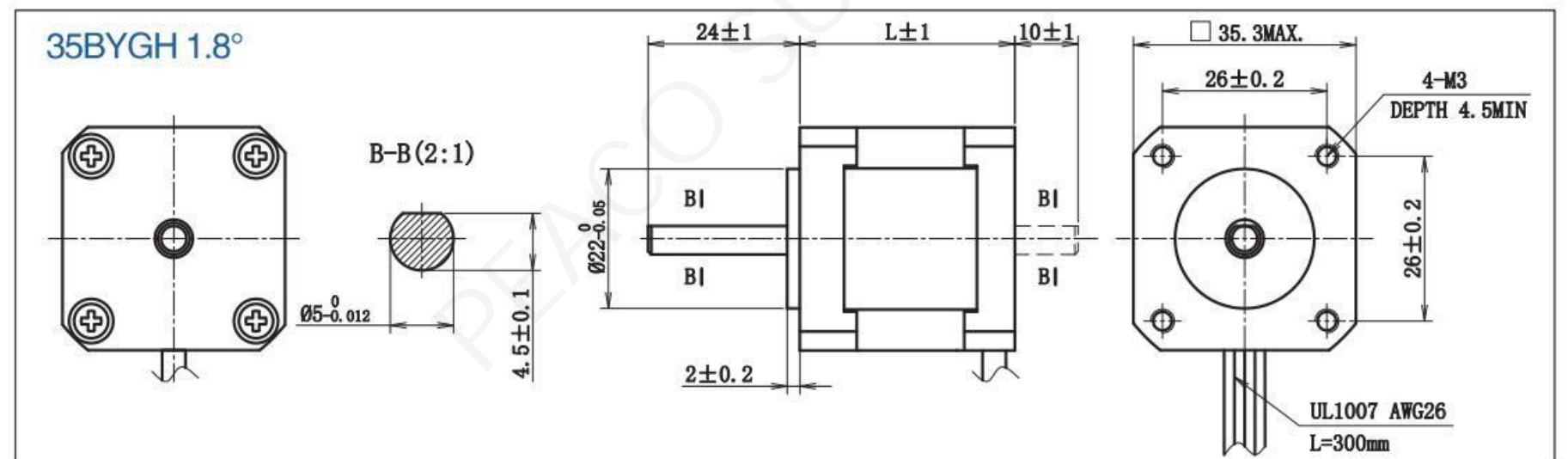
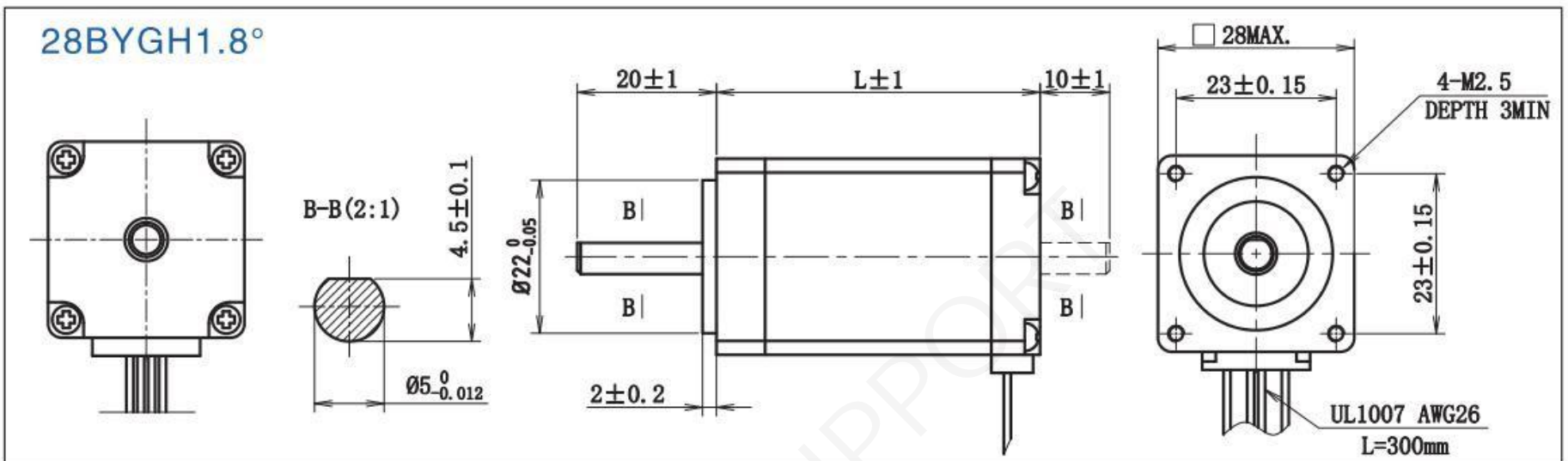
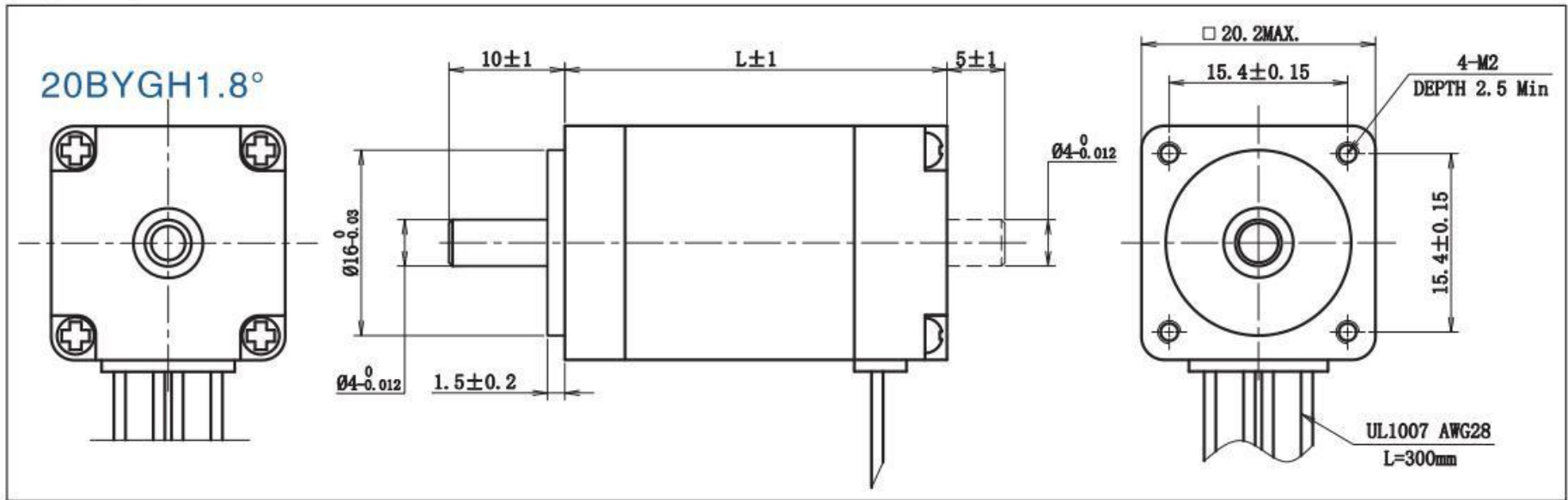
Website: www.peacosupport.com

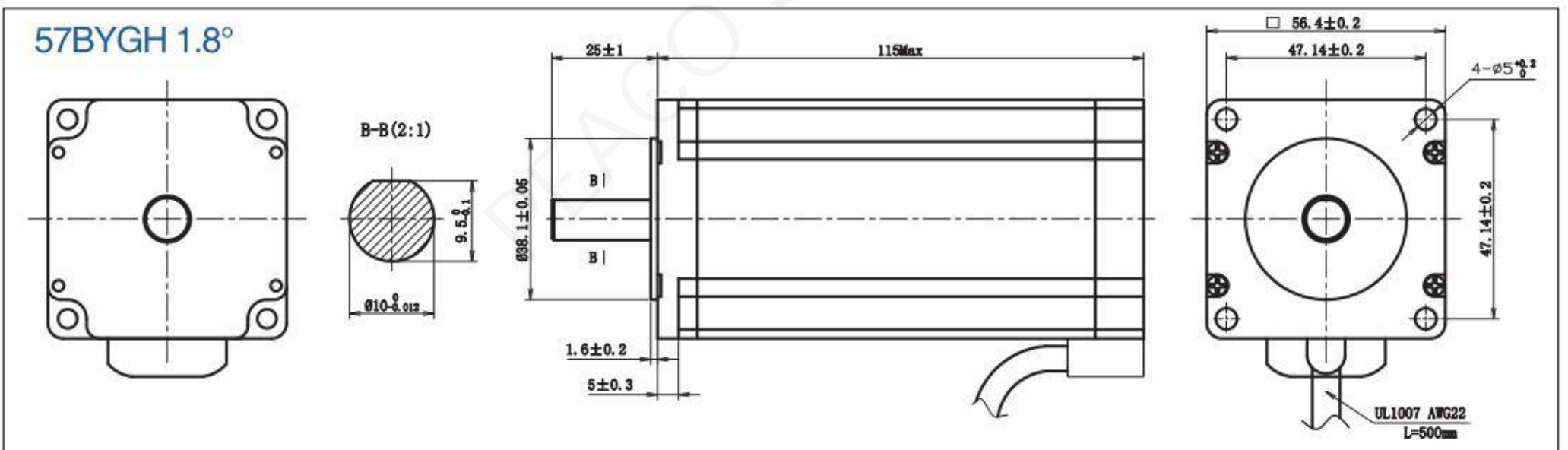
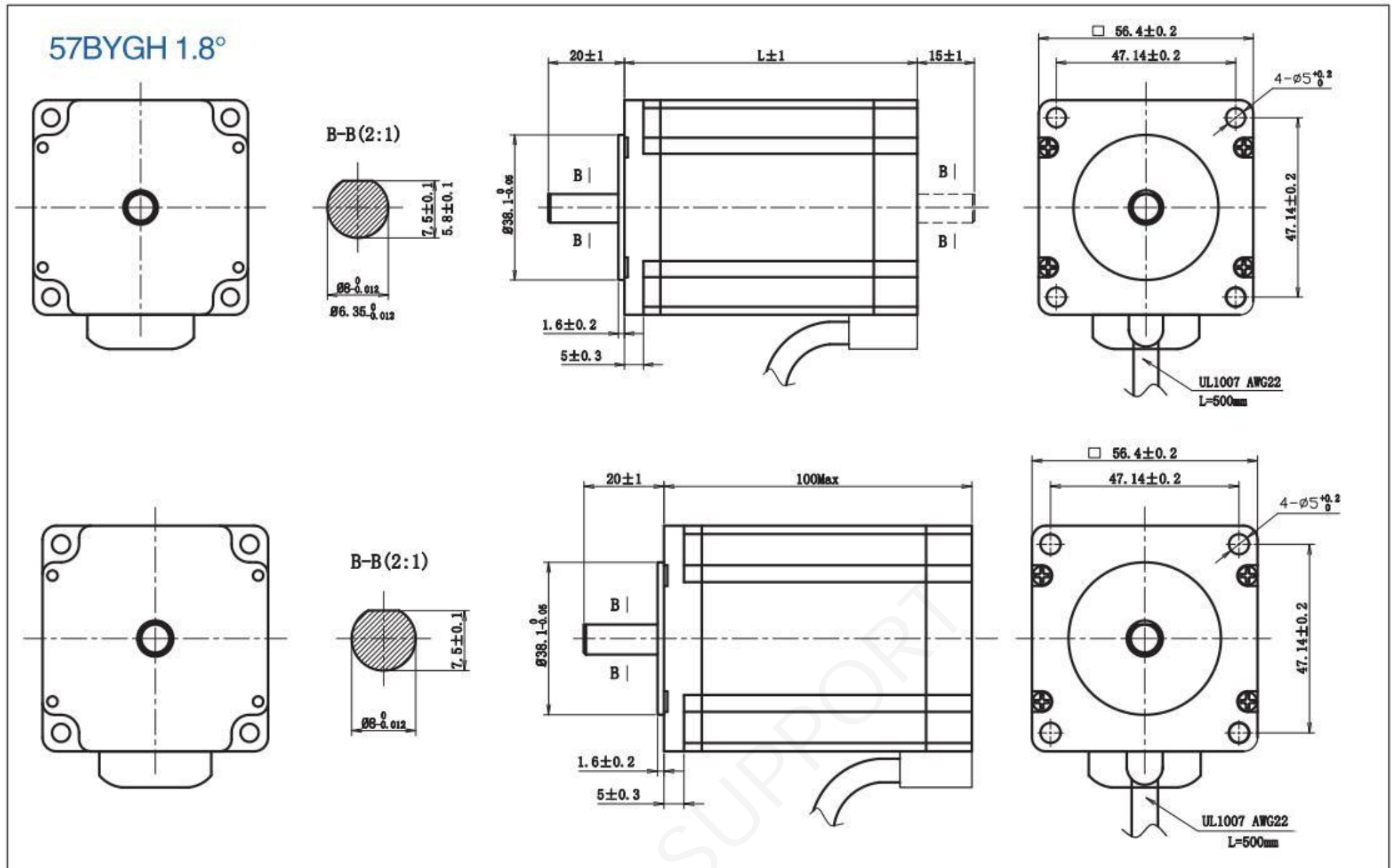
Model		Voltage	Current	Max Torque	Wires	Weight	Length
Single shaft	Double shaft	V	A	NM	NO.	Kg	mm
2 phase open-loop stepper motor							
20BYGH224-0204A	20BYGH224-0204B	24	0.2	0.01	4	0.04	24
20BYGH228-0204A	20BYGH228-0204B	24	0.2	0.016	4	0.05	28
20BYGH233-0404A	20BYGH233-0404B	24	0.4	0.02	4	0.07	33
20BYGH238-0604A	20BYGH238-0604B	24	0.6	0.04	4	0.08	38
20BYGH245-0604A	20BYGH245-0604B	24	0.6	0.044	4	0.1	45
20BYGH248-0604A	20BYGH248-0604B	24	0.6	0.048	4	0.11	48
28BYGH232-0956A	28BYGH232-0956B	24	0.95	0.043	6	0.11	32
28BYGH232-0674A	28BYGH232-0674B	24	0.67	0.06	4	0.11	32
28BYGH245-0956A	28BYGH245-0956B	24	0.95	0.075	6	0.14	45
28BYGH245-0674A	28BYGH245-0674B	24	0.67	0.095	4	0.14	45
28BYGH251-0956A	28BYGH251-0956B	24	0.95	0.09	6	0.2	51
28BYGH251-0674A	28BYGH251-0674B	24	0.67	0.12	4	0.2	51
35BYGH220-0404A	35BYGH220-0404B	24	0.4	0.05	4	0.1	20
35BYGH226-0804A	35BYGH226-0804B	24	0.8	0.08	4	0.12	26
35BYGH228-0754A	35BYGH228-0754B	24	0.75	0.08	4	0.14	28
35BYGH228-0504A	35BYGH228-0504B	24	0.5	0.10	4	0.14	28
35BYGH234-0406A	35BYGH234-0406B	24	0.4	0.12	6	0.17	34
35BYGH236-1004A	35BYGH236-1004B	24	1	0.14	4	0.18	36
39BYGH220-0404B	39BYGH220-0404B	24	0.4	0.065	4	0.12	20
39BYGH220-0506A	39BYGH220-0506B	24	0.5	0.08	6	0.12	20
39BYGH234-0654A	39BYGH234-0654B	24	0.65	0.18	4	0.18	34
39BYGH234-0404A	39BYGH234-0404B	24	0.4	0.21	4	0.18	34
39BYGH234-0604A	39BYGH234-0604B	24	0.6	0.22	4	0.18	34
39BYGH234-0306A	39BYGH234-0306B	24	0.3	0.13	6	0.18	34

Model		Voltage	Current	Max Torque	Wires	Weight	Length
Single shaft	Double shaft	V	A	NM	NO.	Kg	mm
2 phase open-loop stepper motor							
39BYGH234-0166A	39BYGH234-0166B	24	0.16	0.11	6	0.18	34
39BYGH238-0504A	39BYGH238-0504B	24	0.5	0.29	4	0.2	38
39BYGH238-0806A	39BYGH238-0806B	24	0.8	0.20	6	0.2	38
39BYGH244-0304A	39BYGH244-0304B	24	0.3	0.28	4	0.25	44
42BYGH233-0956A	42BYGH233-0956B	24	0.95	0.16	6	0.22	33
42BYGH233-1334A	42BYGH233-1334B	24	1.33	0.22	4	0.22	33
42BYGH239-1206A	42BYGH239-1206B	24	1.2	0.259	6	0.28	39
42BYGH239-0804A	42BYGH239-0804B	24	0.8	0.259	4	0.28	39
42BYGH239-0406A	42BYGH239-0406B	24	0.4	0.259	6	0.28	39
42BYGH239-1684A	42BYGH239-1684B	24	1.68	0.36	4	0.28	39
42BYGH247-1206A	42BYGH247-1206B	24	1.2	0.317	6	0.35	47
42BYGH247-0804A	42BYGH247-0804B	24	0.8	0.317	4	0.35	47
42BYGH247-0406A	42BYGH247-0406B	24	0.4	0.317	6	0.35	47
42BYGH247-1684A	42BYGH247-1684B	24	1.68	0.44	4	0.35	47
42BYGH247-2104A	42BYGH247-2104B	24	2.1	0.5	4	0.35	47
42BYGH260-0804A	42BYGH260-0804B	24	0.8	0.6	4	0.48	60
42BYGH260-1684A	42BYGH260-1684B	24	1.68	0.6	4	0.48	60
42BYGH260-2504A	42BYGH260-2504B	24	2.5	0.65	4	0.48	60
57BYGH241-1004A	57BYGH241-1004B	24	1	0.6	4	0.45	41
57BYGH241-2004A	57BYGH241-2004B	24	2	0.6	4	0.45	41
57BYGH246-1004A	57BYGH246-1004B	24	1	0.65	4	0.5	46
57BYGH246-2004A	57BYGH246-2004B	24	2	0.65	4	0.5	46
57BYGH246-3004A	57BYGH246-3004B	24	3	0.65	4	0.5	46
57BYGH251-2004A	57BYGH251-2004B	24	2	0.8	4	0.55	51
57BYGH251-3004A	57BYGH251-3004B	24	3	0.8	4	0.55	51
57BYGH255-1004A	57BYGH255-1004B	24	1	1	4	0.7	55
57BYGH255-2004A	57BYGH255-2004B	24	2	1	4	0.7	55
57BYGH255-3004A	57BYGH255-3004B	24	3	1	4	0.7	55
57BYGH262-1004A	57BYGH262-1004B	24	1	1.2	4	0.85	62
57BYGH262-2004A	57BYGH262-2004B	24	2	1.2	4	0.85	62
57BYGH262-3004A	57BYGH262-3004B	36	3	1.2	4	0.85	62
57BYGH276-2004A	57BYGH276-2004B	24	2	2	4	1.15	80
57BYGH276-3004A	57BYGH276-3004B	36	3	2	4	1.15	80
57BYGH276-4004A	57BYGH276-4004B	36	4	2	4	1.15	80
57BYGH2100-4004A	57BYGH2100-4004B	48	4	2.8	4	1.65	100
57BYGH2100-5004A	57BYGH2100-5004B	48	5	2.8	4	1.65	100
57BYGH2115-4004A	57BYGH2115-4004B	48	4	3.2	4	1.75	115
57BYGH2115-5004A	57BYGH2115-5004B	48	5	3.2	4	1.75	115
60BYGH255-2004A	60BYGH255-2004B	36	2	1.5	4	1.7	55
60BYGH255-3004A	60BYGH255-3004B	36	3	1.5	4	1.7	55
60BYGH255-4004A	60BYGH255-4004B	36	4	1.5	4	1.7	55
60BYGH276-2004A	60BYGH276-2004B	36	2	2.5	4	2.4	80

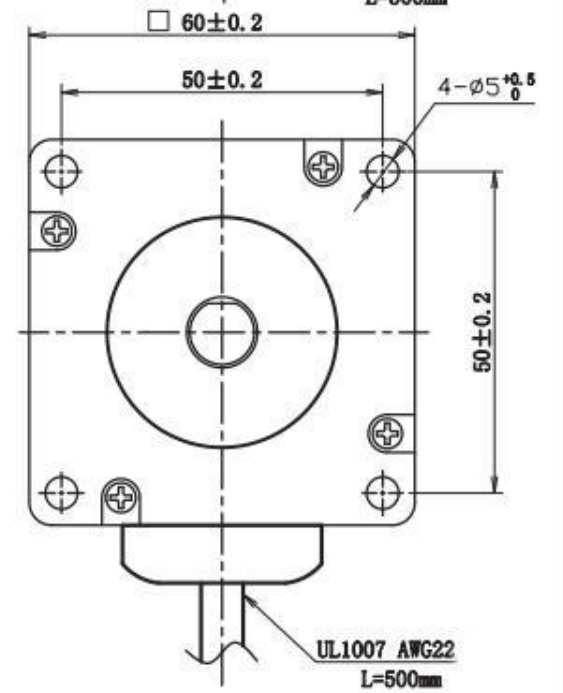
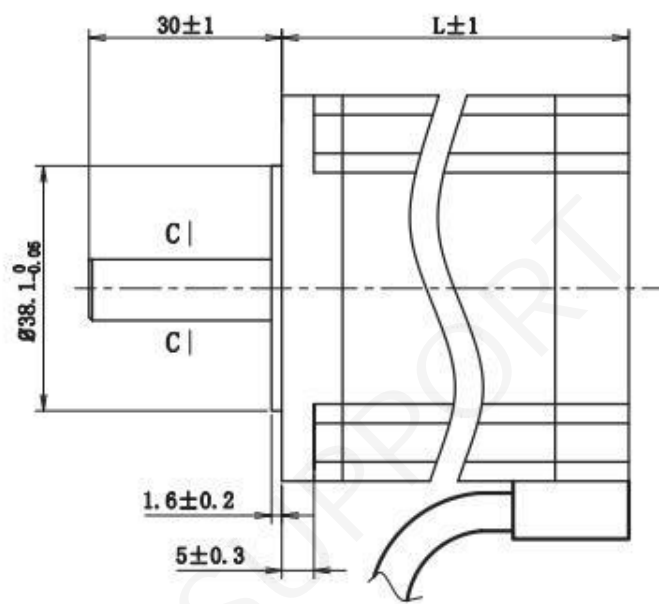
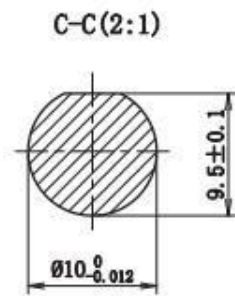
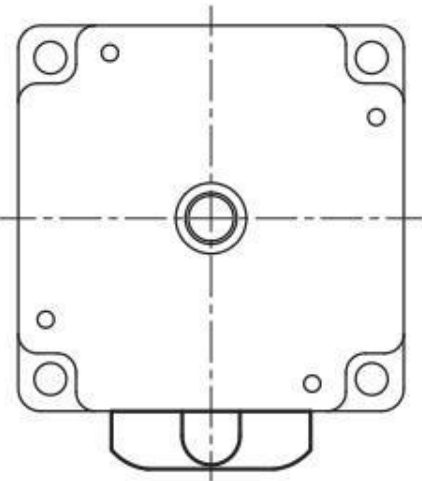
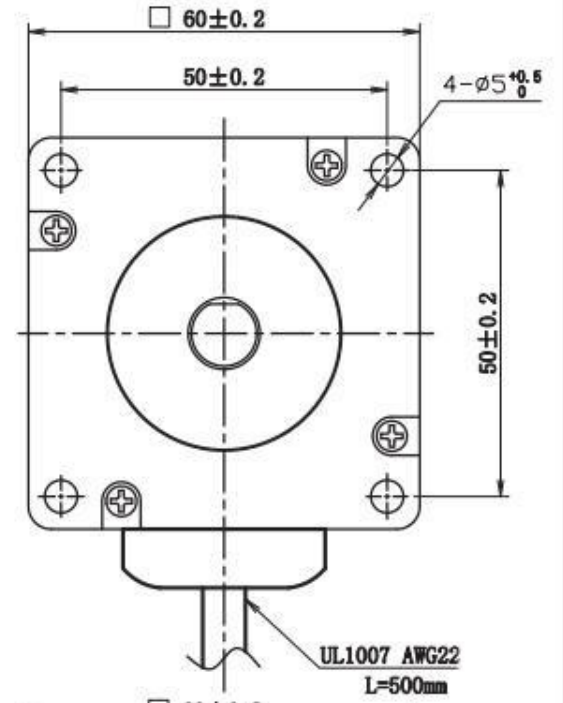
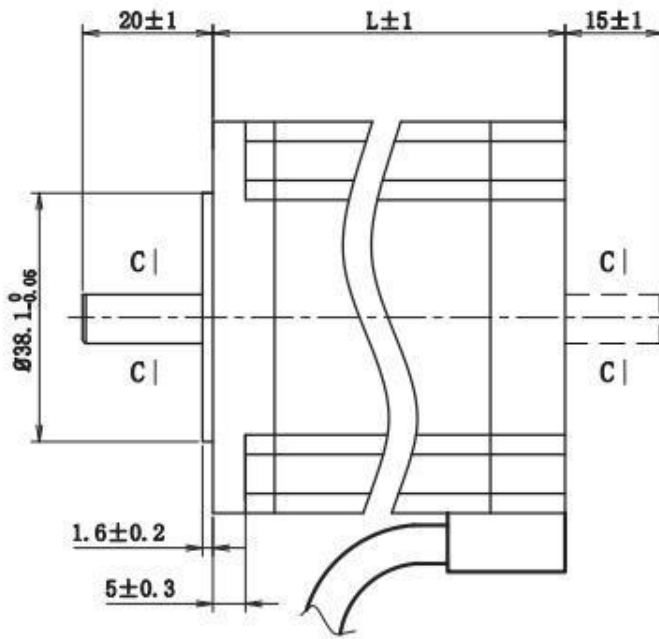
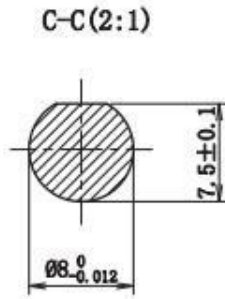
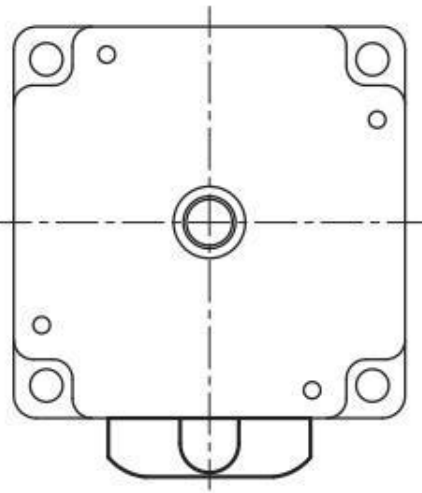
Model		Voltage	Current	Max Torque	Wires	Weight	Length
Single shaft	Double shaft	V	A	NM	NO.	Kg	mm
2 phase open-loop stepper motor							
60BYGH276-3004A	60BYGH276-3004B	36	3	2.5	4	2.4	80
60BYGH276-4004A	60BYGH276-4004B	48	4	2.5	4	2.4	80
60BYGH288-3004A	60BYGH288-3004B	48	3	3.0	4	3.0	90
60BYGH288-4004A	60BYGH288-4004B	48	4	3.0	4	3.0	90
60BYGH288-5004A	60BYGH288-5004B	48	5	3.0	4	3.0	90
60BYGH2100-3004A	60BYGH2100-3004B	48	3	3.5	4	4.0	100
60BYGH2100-4004A	60BYGH2100-4004B	48	4	3.5	4	4.0	100
60BYGH2100-5004A	60BYGH2100-5004B	48	5	3.5	4	4.0	100
86BYGH260-3004A	86BYGH260-3004B	48	3	2.8	4	1.7	60
86BYGH260-4504A	86BYGH260-4504B	48	4.5	2.8	4	1.7	60
86BYGH260-6004A	86BYGH260-6004B	48	6	2.8	4	1.7	60
86BYGH280-3004A	86BYGH280-3004B	48	3	4.4	4	2.4	80
86BYGH280-4504A	86BYGH280-4504B	48	4.5	4.4	4	2.4	80
86BYGH280-6004A	86BYGH280-6004B	48	6.0	4.4	4	2.4	80
86BYGH2100-3004A	86BYGH2100-3004B	48	3.0	6.5	4	3.0	100
86BYGH2100-4504A	86BYGH2100-4504B	48	4.5	6.5	4	3.0	100
86BYGH2100-6004A	86BYGH2100-6004B	48	6.0	6.5	4	3.0	100
86BYGH2120-3004A	86BYGH2120-3004B	60	3.0	8.4	4	4.0	120
86BYGH2120-4504A	86BYGH2120-4504B	60	4.5	8.4	4	4.0	120
86BYGH2120-6004A	86BYGH2120-6004B	60	6.0	8.4	4	4.0	120
86BYGH2160-4004A	86BYGH2160-4004B	60	4.0	12	4	5.5	160
86BYGH2160-6004A	86BYGH2160-6004B	220	6.0	12	4	5.5	160
86BYGH2160-8004A	86BYGH2160-8004B	220	8.0	12	4	5.5	160
110BYGH2100-5004A	110BYGH2100-5004B	220	4.0	10	4	5.0	100
110BYGH2150-6004A	110BYGH2150-6004B	220	6.0	20	4	8.4	150
3 phase open-loop stepper motor							
86BYGH3066-2506A	86BYGH3066-2506B	48	2.5	2.6	4	1.7	66
86BYGH3066-3306A	86BYGH3066-3306B	48	3.3	2.6	4	1.7	66
86BYGH3096-1106A	86BYGH3096-1106B	48	1.1	6.5	4	2.8	96
86BYGH3096-3006A	86BYGH3096-3006B	48	3.0	6.5	4	2.8	96
86BYGH3096-3306A	86BYGH3096-3306B	48	3.3	6.5	4	2.8	96
86BYGH3126-1306A	86BYGH3126-1306B	220	1.3	8.5	4	3.8	126
86BYGH3126-3006A	86BYGH3126-3006B	220	3.0	8.5	4	3.8	126
86BYGH3126-3306A	86BYGH3126-3306B	220	3.3	8.5	4	3.8	126
86BYGH3156-3006A	86BYGH3156-3006B	220	3.0	12	4	3.8	156
86BYGH3156-3306A	86BYGH3156-3306B	220	3.3	12	4	3.8	156
110BYGH3100-4006A	110BYGH3100-4006B	220	4.0	13	4	5.0	100
110BYGH3150-5006A	110BYGH3150-5006B	220	5.0	22	4	8.5	150
110BYGH3200-6006A	110BYGH3200-6006B	220	6.0	28	4	11.8	200
130BYGH3170-6003A	130BYGH3170-6003B	220	6.0	23	3	13.5	170
130BYGH3199-6003A	130BYGH3199-6003B	220	6.0	30	3	16.5	199
130BYGH3226-6003A	130BYGH3226-6003B	220	6.0	35	3	17.5	226
130BYGH3280-6003A	130BYGH3280-6003B	220	6.0	50	3	22.0	280

2 Phase Open-loop Stepper Motor Drawing

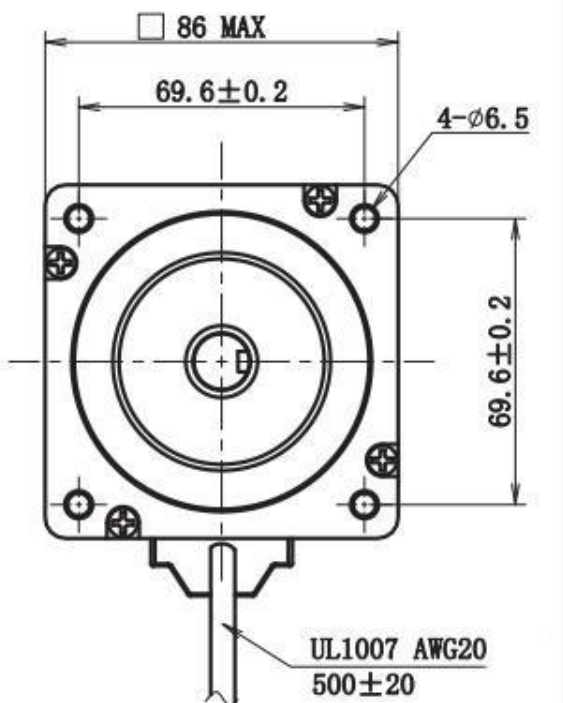
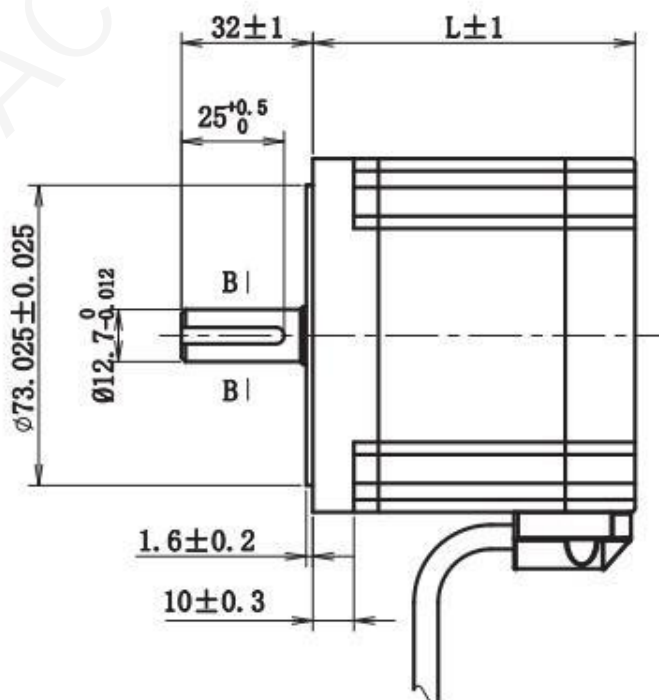
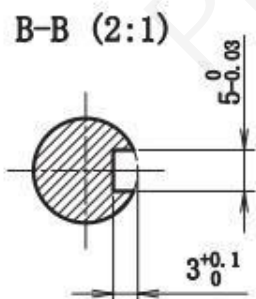
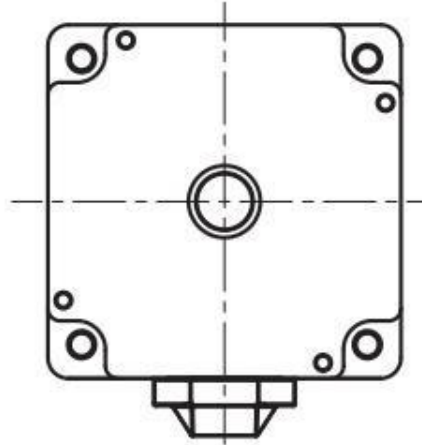


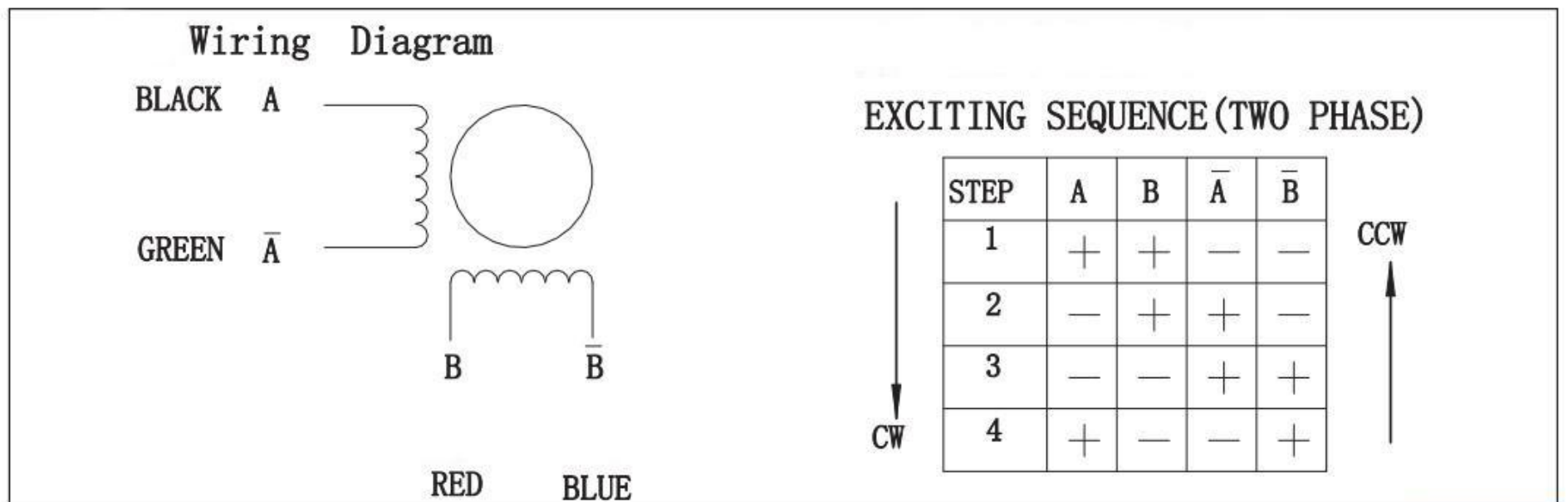
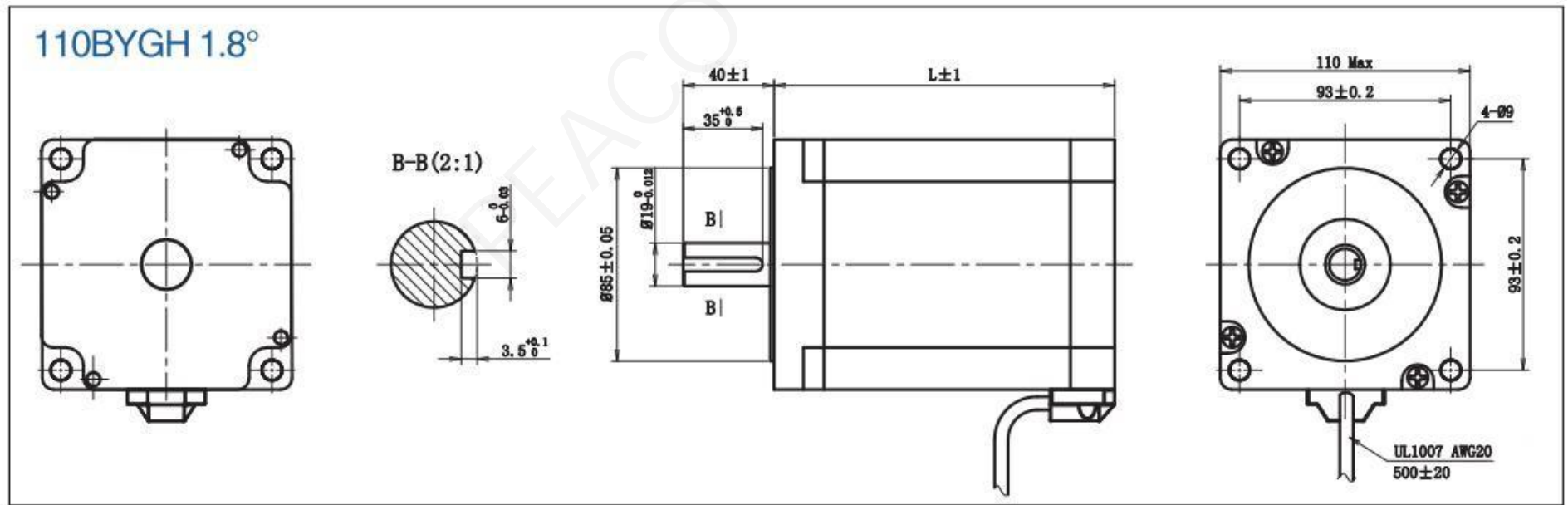
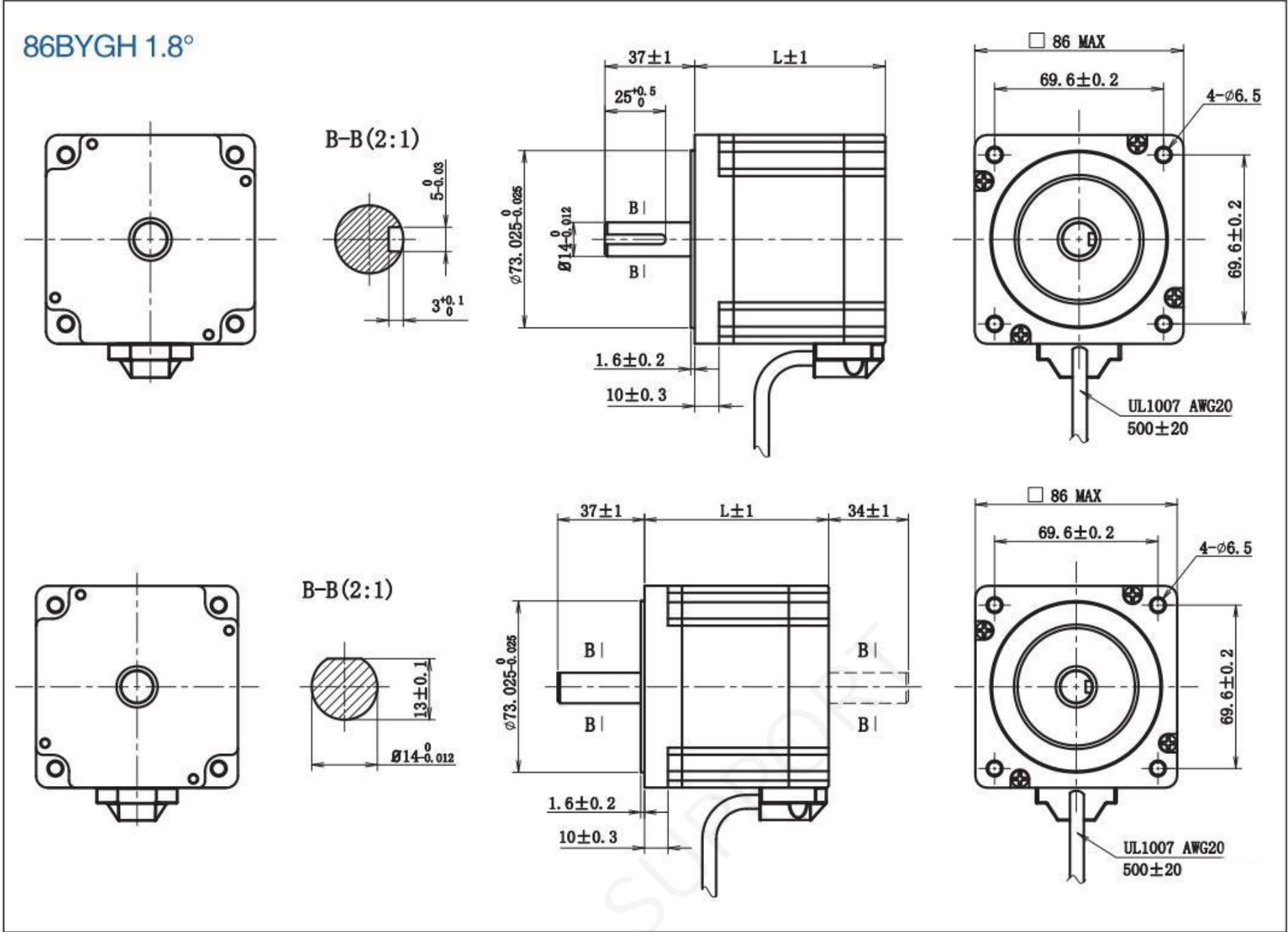


60BYGH 1.8°



86BYGH 1.8°





3 Phase Open-loop Stepper Motor Drawing

